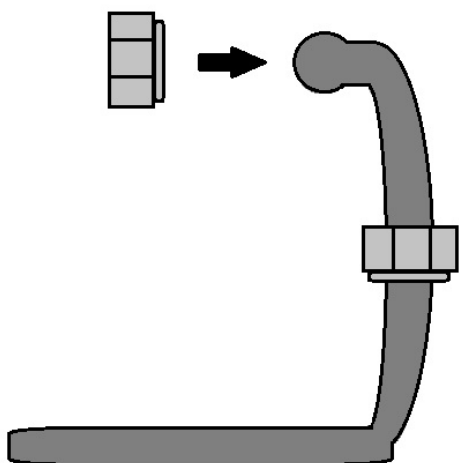


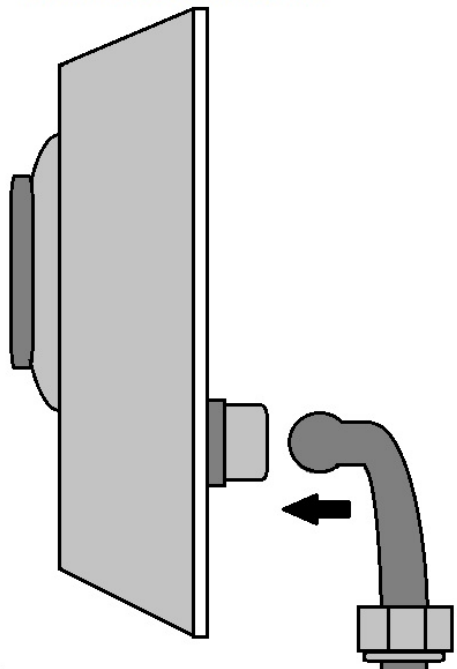
ZH-IXB15-WC

Attaching the New Fox Camera Bracket

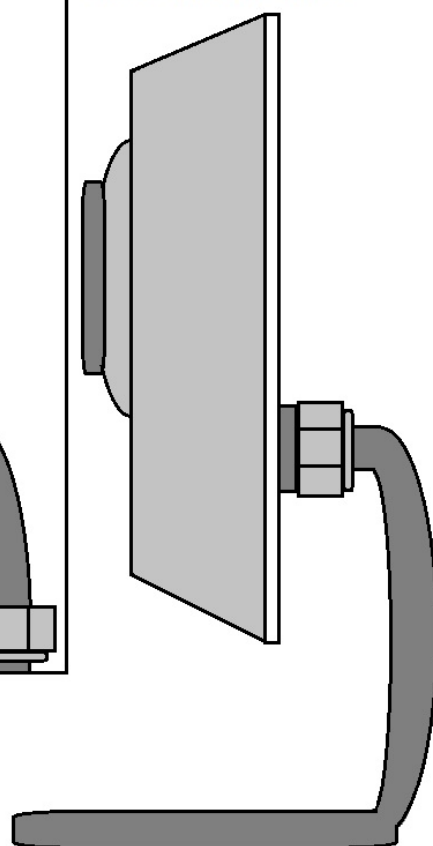
1. Place the washer over the top of the bracket



2. Press the ball-section of the bracket into the socket on the camera



3. Screw the washer onto the socket on the back of the camera



Unique solution ID: #1034
Author: Alex Crewell
Last update: 2013-08-15 01:40